

DUAL COLOUR **LED BEACON**

WIRING / OPERATION

Permanent Mount:

RED: To +VDC (fuse@4A) for Warning Mode in COLOUR1
RED + YELLOW: To +VDC (fuse@4A) for Warning Mode in COLOUR2
BLACK: To -Chassis Ground
WHITE: To +VDC for Low Power

Magnetic Mount:

BUTTON 1:

Position 1 - Warning Mode in COLOUR1
Position 2 - Warning Mode in COLOUR2

BUTTON 2:

Position 1 - Normal Operation
Position 2 - Low Power Operation

FP#	FLASH PATTERNS	
1	Double	[R65]
2	Single	[2Hz]
3	Quad	[2Hz]
4	Single	[SAE]
5	Double	[SAE]
6	Quad	[SAE]
7	Quint	[SAE]
8	Mega	
9	Ultra	[SAE]
10	Single-Quad	
11	Single H/L	

Note: i. This unit may not be factory-set at FP#1
 ii. Actual approval base on the model ordered.

OPERATION

Flash Pattern Selection

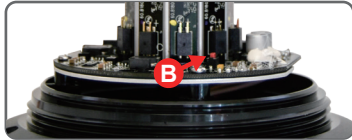
1. Open

Twist the dome lens counter clockwise **A**, then lift the dome lens to open.

2. Change

While activating Warning Mode, momentarily push the RED BUTTON **B** to change to the next flash pattern. (see Flash Patterns Chart)

Note: Both COLOUR1 and COLOUR2 warning modes share the same Flash Pattern memory.



3. Close

Twist and tighten the dome lens clockwise **C** to close.



Dual Purpose Cigar Plug (for applicable models only):

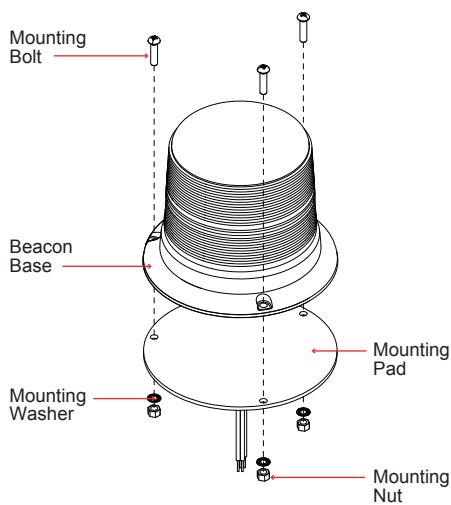
When using models with dual purpose cigar plug, change the plug according to your actual socket by pushing in or out the red plastic frame.



▲ for standard Cigar Lighter Socket

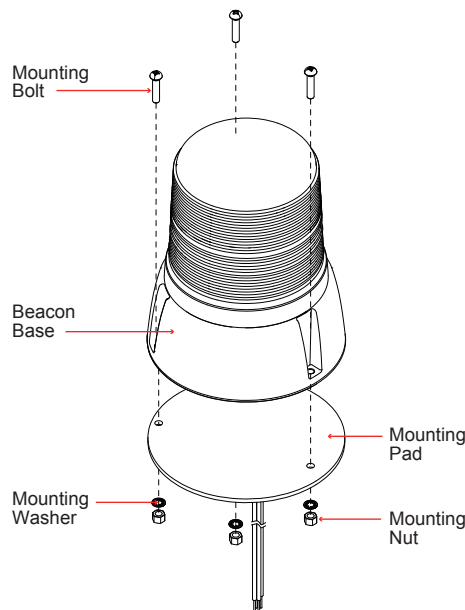
▲ for ISO4165 Socket

3 Bolt Mount

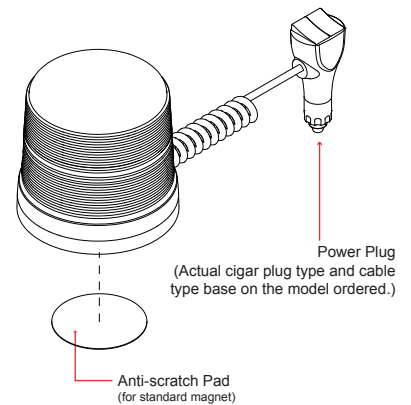


1. Drill holes on the mounting surface for the wire-exit and mounting bolts.
2. Secure the beacon onto the mounting surface with mounting bolts.

Tall Base 3 Bolt Mount



Magnetic Mount



WARNING:

It is not recommended to use magnetically mounted warning devices on outside of vehicle in motion. Usage is at the sole risk and responsibility of the user.

NOTE: All diagrams may not show to scale.